



Gushing nozzle



Fan Jet

	Fresh Water	Pool Water	Sea Water
Gushing nozzle			
Fan Jet			

GUSHING NOZZLE 115-15 SILVER

Whether as single nozzle or as group arranged around a central nozzle – the gushing nozzle generates a full water pattern of impressive presence.

The gushing nozzle spouts a fan-shaped water surge that is mostly closed, with a thickness of 6 mm and a radiating angle of approximately 30°.

Product characteristics at a glance

- Striking water pattern
- Extensively wind-stable
- Water-level independent
- Durable chromed and nickel plated brass



Gushing nozzle 115-15 Silver

FAN JET 10-6 AND 15-8

The water veil generated by these nozzles not only has a bizarre beauty, it is also extremely practical: It is particularly well suited to conceal exposed technology.

Depending on the installation the fan nozzles generate either a vertically ascending water veil, or a diagonally spouting water veil of 6 or 8 mm in thickness. Thanks to its large surface area the attractive water pattern can conceal a foundation base, or exposed pipe and pump equipment from the eyes of observers.

The nozzles work independently of the water level and require a throttle valve to regulate the water pattern.

Product characteristics at a glance

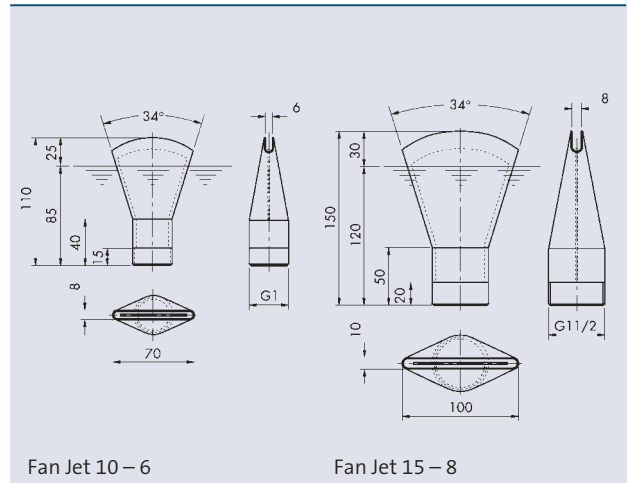
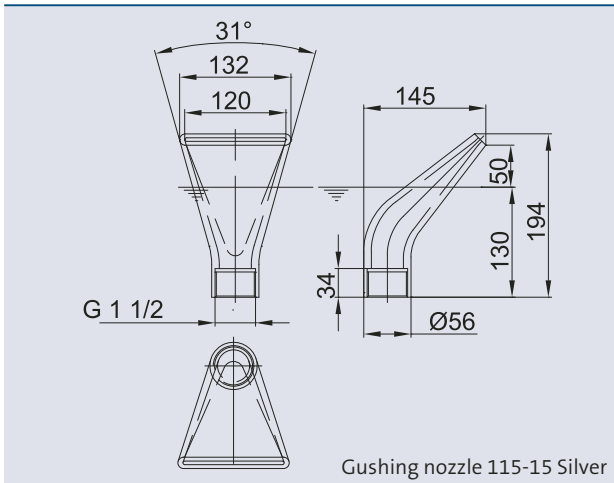
- 6 mm or 8 mm thick, fan-shaped
- Water gushing effect
- Water-level independent
- Modern stainless steel look



Fan Jet

Accessories (must be ordered separately)	Order no.
Swivel connection 10 silver (see page 230)	51015
Swivel connection 15 silver (see page 230)	51016
Sleeve 10 silver (see page 230)	51018
Sleeve 15 silver (see page 230)	51019
Swivel ball joint 10 (see page 231)	51165

Accessories (must be ordered separately)	Order no.
Adapter G 10 / NPT 10 (see page 230)	51026
Adapter G 15 / NPT 15 (see page 230)	51027
Reducing sleeve 15 x 10 (see page 231)	51032
Reducing sleeve 20 x 15 (see page 231)	51030
Flow Valve 10 (see page 231)	51033



Gushing nozzle 115-15 Silver				
Dimensions (L x W x H)	[mm]	132 x 145 x 194		
Fountain height		PH	SPB	DWB DDB
		[m]	[m]	[L/min.] [bar]
0.50	[m]	0.10	0.25	94 0.04
0.75	[m]	0.15	0.33	112 0.06
1.00	[m]	0.20	0.42	131 0.08
1.25	[m]	0.26	0.50	150 0.10
1.50	[m]	0.33	0.58	168 0.12
1.75	[m]	0.40	0.67	187 0.14
2.00	[m]	0.48	0.75	205 0.15
2.50	[m]	0.62	0.92	243 0.19
3.00	[m]	0.77	1.08	280 0.23
3.50	[m]	0.92	1.25	317 0.27
4.00	[m]	1.06	1.42	354 0.31
4.50	[m]	1.21	1.58	392 0.34
Material		Double coated brass		
Weight	[kg]	2.5		
Order no.		50767		

Fan Jet	Fan Jet 10 – 6			Fan Jet 15 – 8		
Dimensions (L x W x H)	110 x 70 x 34			150 x 100 x 49		
Fountain height	SPB	DWB	DDB	SPB	DWB	DDB
	[m]	[l/min]	[bar]	[m]	[l/min]	[bar]
0.25	[m]	70	0.04			
0.50	[m]	94	0.06	1.40	143	0.06
0.75	[m]	116	0.11	1.80	174	0.09
1.00	[m]	134	0.13	2.80	200	0.11
1.25	[m]	150	0.16	3.40	223	0.14
1.50	[m]	165	0.19	4.00	244	0.17
1.75	[m]	179	0.23	5.00	264	0.20
2.00	[m]			5.50	282	0.25
Material	Stainless steel 1.4301 (AISI 304)			Stainless steel 1.4301 (AISI 304)		
Weight	[kg]	0.25			0.49	
Order no.		53056			53047	