



	Fresh Water	Pool Water	Sea Water
50966 Hollow Jet nozzle 68			
50973 Hollow Jet nozzle 100			
55350 Hollow Jet nozzle 130			
50963 Hollow Jet nozzle 130			

HOLLOW JET NOZZLES

Imposing fountains up to 80 metres in height are shot high into the sky by OASE Hollow Jet nozzles.

The special nozzles for impressive fountain heights work independently of the water level, and with flow straightener. Thanks to these features and the precise manufacturing of the ring slot of the nozzle, a stable fountain jet is ensured at all times.

In comparison to full-jet nozzles, the sophisticated design of the Hollow Jet nozzle allows for a significant reduction of water demand (also referred to as volume flow).

Product characteristics at a glance

- For fountain heights of up to 80 m
- Wind-stable high jet
- Water-level independent
- Significantly reduced water demand compared to full-jet nozzles
- With flow director

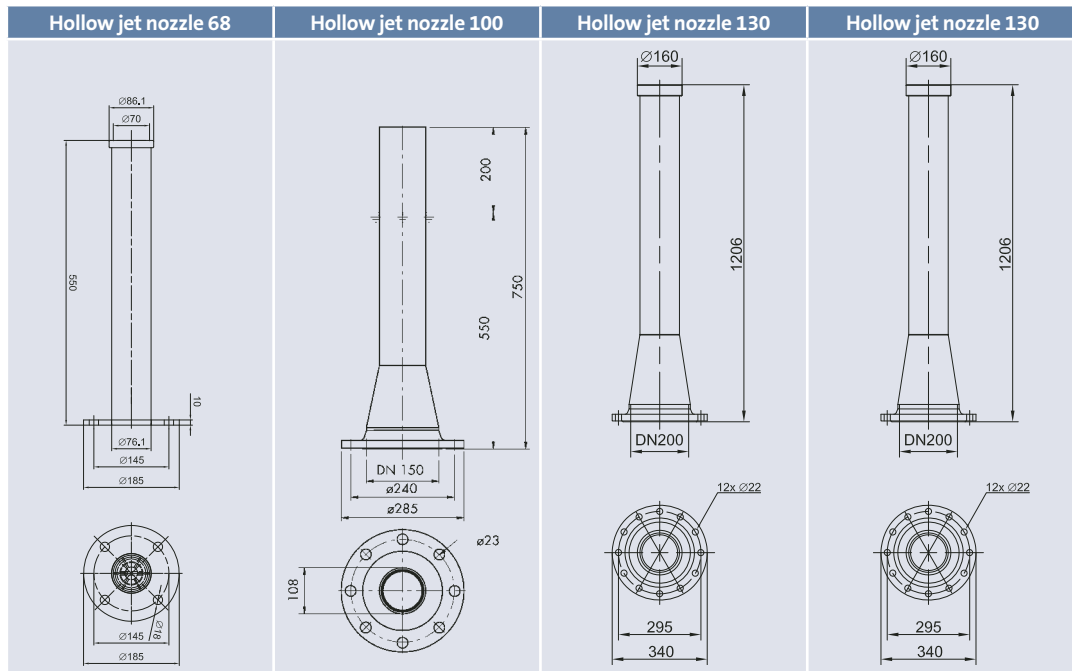


50966
Hollow jet nozzle 68

50973
Hollow jet nozzle 100

55350 / 50963
Hollow jet nozzle 130

The Hollow jet nozzle 130 (50963) consists of a higher quality of stainless steel so that this nozzle is suited for salt water.



	Hollow jet nozzle 68		Hollow jet nozzle 100		Hollow jet nozzle 130		Hollow jet nozzle 130	
Dimensions (ø x H) [mm]	80 x 425		285 x 750		320 x 1200		320 x 1200	
Ø Hollow Jet [mm]	70		100		130		130	
Water film thickness [mm]	3.5		4.0		10		10	
Fountain height	DWB	DDB	DWB	DDB	DWB	DDB	DWB	DDB
	l/min	bar	l/min	bar	l/min	bar	l/min	bar
5 [m]	449	0.61						
6 [m]	493	0.72						
7 [m]	533	0.87						
8 [m]	570	1.00						
9 [m]	605	1.12						
10 [m]	639	1.26						
12 [m]	701	1.53						
14 [m]	759	1.80						
16 [m]	813	2.07						
18 [m]	864	2.35						
20 [m]	912	2.64	1390	2.18				
22 [m]	959	2.93	1475	2.45				
24 [m]	1003	3.22	1561	2.71				
25 [m]			1600	2.85				
30 [m]			1820	3.60				
35 [m]			1985	4.25				
40 [m]			2235	5.80	6828	5.4	6828	5.4
45 [m]			2600	7.20	7290	6.1	7290	6.1
50 [m]			2660	7.70	7735	6.9	7735	6.9
55 [m]					8165	7.7	8165	7.7
60 [m]					8583	8.5	8583	8.5
65 [m]					8990	9.3	8990	9.3
70 [m]					9388	10.2	9388	10.2
75 [m]					9778	11.0	9778	11.0
80 [m]					10160	11.9	10160	11.9
Material	Stainless steel		Stainless steel 1.4571 (AISI 316Ti)		Stainless steel 1.4301 + 1.4571 (AISI 304/316Ti)		V 4 A	
Weight [kg]	5.0		33.0		76.0		76.0	
Order no.	50966		50973		55350		50963	