



	Fresh Water	Pool Water	Sea Water	220-240 V	400 V	110-120 V	50 Hz	60 Hz	12 V AC	24 V DC	DMX	DMX/RDM	Plug and Spray
Varionaut 365/DMX/02	✓	✓	✓	✓	✓	✓	✓	✓	✓	✓	✓	✓	✓

VARIONAUT 365/DMX/02

The Varionaut 365/DMX/02 is the most powerful DMX-RDM compatible pump. This individually controllable pump creates dynamic water effects and achieves thereby a maximum fountain height in only 1.8 secs.

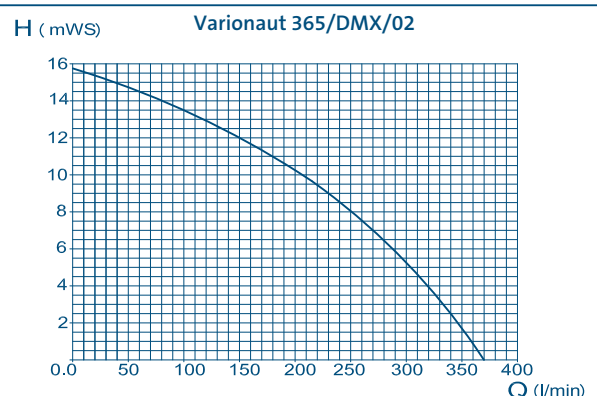
The Varionaut 365/DMX/02 is supplied with an integrated power connection cable and a DMX/RDM connection box. This (Plug & Spray) eliminates the need for hand wiring. Lights and other devices (e.g. LED lights) can be easily intercon-

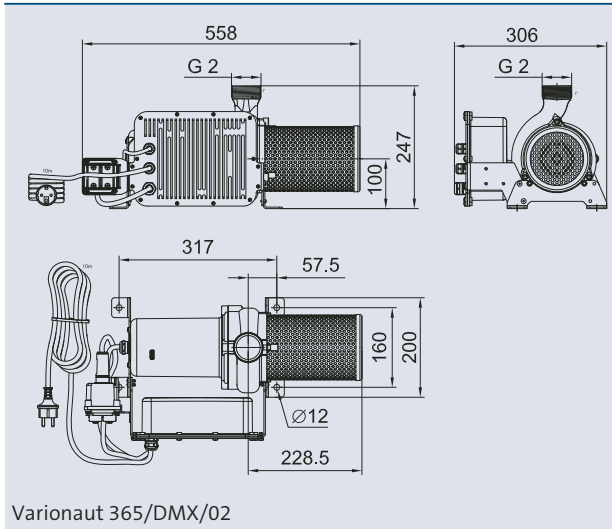
nected via the DMX/ RDM cable. The DMX/RDM controlled Varionaut pumps send back information like running time and electronic temperature etc. to the control panel. These status signals enable remote diagnosis and remote maintenance. This is the service concept for the future. The Varionaut 365/DMX/02 can be regulated very precisely – the regulation level being lesser than 1 % of the total height.

Product characteristics at a glance

- Without initial current
- Continuously adjustable via DMX (flow rate)
- RDM/DMX - capable
- Suitable for wet or dry installation
- 10 m power cable with plug (6 ft power cable without plug)
- DMX connection box
- IP 68 protection

INNOVATION – MADE BY OASE





Accessories (must be ordered separately)

Comet 10-14 T (see page 34)	50969
Comet 15-17 T (see page 34)	50970
Comet 15-20 T (see page 34)	50971
Comet 10-14 Silver (see page 32)	50723
Comet 15-17 Silver (see page 32)	50724
Rotating Nozzle 5-15 E (see page 50)	50967
Reducing Sleeve 15x10 (see page 231)	51032
Reducing Sleeve 20x15 (see page 231)	51030
Connecting cable DMX/01 (see page 144)	Order no.
Connecting cable DMX/1.0 m/01	12368
Connecting cable DMX/3.0 m/01	12369
Connecting cable DMX/5.0 m/01	12371
Connecting cable DMX/10.0 m/01	12372
Connecting cable DMX/20.0 m/01	12373
End Resistant for Bus-System DMX/01	12007
WECS II 512 (see page 156)	56491
WECS II 1024 (see page 156)	56492
WECS II 2048 (see page 162)	56507

	Varionaut 365/DMX/02		Varionaut 365/DMX/01	
Motor Type/ Electronic	230V EC-Motor, DMX controlled		230V EC-Motor, DMX controlled	
Hmax	[m]	16	[ft]	52.49
Qmax	[l/min]	365	[gph]	5785.4
Power max.	[W]	800	[W]	800
Dynamic behaviour speed: (time to reach full fountain height from 0 – 100 %)	[s]	Response time approx. 1.8 s based on max. height. Step response <1% of the total fountain height?	[s]	Response time approx. 1.8 s based on max. height. Step response <1% of the total fountain height?
Qmin (offset mode – DMX 0)	[l/min]	45	[gph]	713.3
Max. Powering up / min. Off time	[s]	1 x per minute / 10 s	[s]	1 x per minute / 10 s
Nominal voltage	[V/Hz]	230, 50/60	[V/Hz]	230, 50/60
Immersion depth max.	[m]	4	[ft]	13.1
Protection class		IP 68		IP 68
Dimensions incl. filter (LxWxH)	[mm]	560 x 310 x 250	[inch]	22 x 12.20 x 9.84
Suction side connection	[inch]	thread G2 (internal thread)	[inch]	thread G2 (internal thread)
Pressure side connection	[inch]	thread G2 (external thread)	[inch]	thread G2 (external thread)
Weight	[kg]	17	[lb]	38
Filter housing		Tombac / stainless steel 1.4301 (AISI 304)		Tombac / stainless steel 1.4301 (AISI 304)
Filter surface	[cm²]	approx. 1100	[sq.ft]	approx. 1.184
Pump housing		Brass Casting		Brass Casting
Input DMX		0.5 m BUS-cable with DMX box		1.64 ft. BUS-cable with DMX box
Input power		10 m power cable with plug		20 ft. power cable without plug
Number of DMX channels		2 channels (control channel, speed channel)		2 channels (control channel, speed channel)
Environmental conditions: submersible application	[°C]	Water temperature: min. 4 to max. 35	[°C]	Water temperature: min. 4 to max. 35
Environmental conditions: dry application	[°C]	Ambient temperature: max. 30°C with natural convection, max. 40 with forced convection, no direct sun exposure permitted. Oilfree	[°C]	Ambient temperature: max. 30°C with natural convection, max. 40 with forced convection, no direct sun exposure permitted. Oilfree
Order no.		50526		56115