

	Fresh Water	Pool Water	Sea Water	220-240 V	400 V	110-120 V	50 Hz	60 Hz	12 V AC	24 V DC	DMX	DMX/RDM	Plug and Spray
Varionaut 150 24V/DMX/02	✓	✓	✓	✓	✓	✓	✓	✓	✓	✓	✓	✓	✓

VARIONAUT 150 24V/DMX/02

The Varionaut 150 24V/DMX/02 is a DMX-RDM compatible 24 Volt DC pump. It fulfils national regulations of DC continuous current up to 30 V which permits this pump to be used directly below the nozzles in the pool. This individually regulated pump creates dynamic water effects. The Varionaut 150 24 V itself produces fountains of up to 3.1 m height in combination with Comet 10-12 T nozzles.

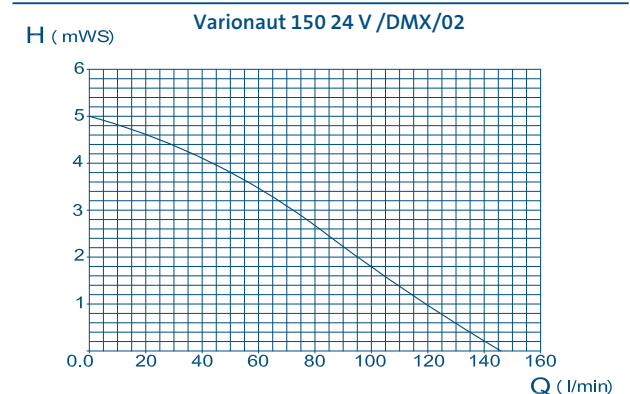
The Varionaut 150 24V is the big sister of the Varionaut 90 24V. It comes with a high-quality stainless steel filter housing, along with 2 connection boxes for (only 50665) the 24 V power

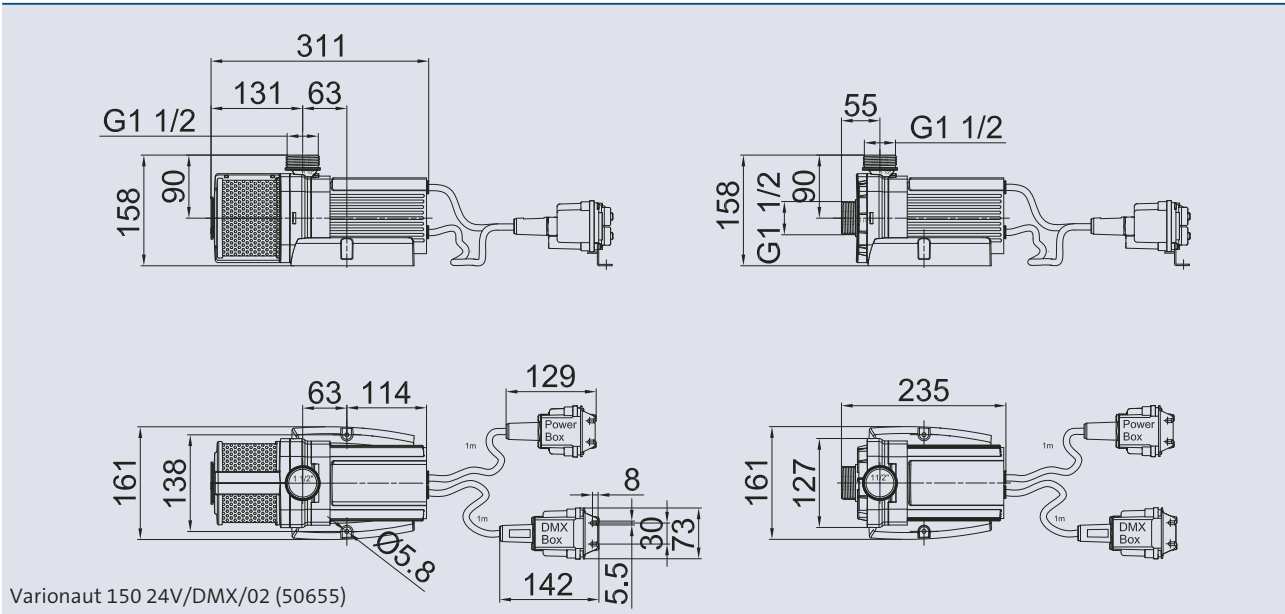
supply and DMX/RDM data source. Through this special connection technology, wiring by hand is no longer necessary (only 50665). Spotlights and other consumer loads (e.g. LED spotlights) can be connected easily to DMX/RDM of the pump.

Product characteristics at a glance

- 24V / DC fountain pump for indoor and outdoor application
- Suitable for wet installation
- Power consumption of max. 120 W
- Reverse polarity protection
- With 1 m BUS and power cable, each with a connection box (only 50665)
- Frost protected up to -20° C
- All parts IP 68 rated

INNOVATION – MADE BY OASE





Varionaut 150 24V/DMX/02 (50655)

To operate the Varionaut 150 24 V an OASE Easy Control or OASE WECS is required (not included).

Accessories (must be ordered separately)

Comet 10-12 T (see page 34)	50968
Reducing Sleeve 15x10 (see page 231)	51032
Connecting cable DMX/01 (see page 144)	Order no.
Connecting cable DMX/1.0 m/01	12368
Connecting cable DMX/3.0 m/01	12369
Connecting cable DMX/5.0 m/01	12371
Connecting cable DMX/10.0 m/01	12372
Connecting cable DMX/20.0 m/01	12373
End Resistant for Bus-System DMX/01	12007

Connecting cable 24V DC/01 (see page 142)	Order no.
Connecting cable 24V DC /1.0 m/01	12762
Connecting cable 24V DC /3.0 m/01	12552
Connecting cable 24V DC /7.5 m/01	12553
Connecting cable 24V DC /15.0 m/01	11720
PowerBox 24 V DC / 01 (see page 142)	50493
Underwater power supply 250/24 V/01 (see page 152)	50733
WECS II 512 (see page 156)	56491
WECS II 1024 (see page 156)	56492
WECS II 2048 (see page 162)	56507

	Varionaut 150 24V/DMX/02		Varionaut 150 24V/DMX/02	
Motor Type/ Electronic	24V DC EC-Motor, DMX Controlled (DMX-RDM enabled)		24V DC EC-Motor, DMX Controlled (DMX-RDM enabled)	
Hmax	[m]	5	[ft]	16.40
Qmax	[l/min]	145	[gph]	2298.30
Power max.	[W]	120	[W]	120
Dynamic behaviour speed: (time to reach full fountain height from 0 – 100 %) with comet 5-8	[s]	1	[s]	1
Qmin (offset mode – DMX 0)	[l/min]	22	[gph]	348
Max. Powering up / min. Off time	[s]	1 x per minute / 10 s	[s]	1 x per minute / 10 s
Nominal voltage	[V/DC]	24	[V/DC]	24
Immersion depth max.	[m]	4	[ft]	13.10
Protection class		IP 68		IP 68
Dimensions incl. filter (LxWxH)	[mm]	311 x 161 x 158	[inch]	12.20 x 6.30 x 6.20
Suction side connection	[inch]	1 ½	[inch]	1 ½
Pressure side connection	[inch]	1 ½	[inch]	1 ½
Weight	[kg]	5	[lb]	11
Filter housing		Plastic / stainless steel 1.4301 (AISI 304)		Stainless steel / plastic
Filter surface	[cm²]	ca. 220	[sq.ft]	0.24
Pump housing		Plastic		Plastic
Input DMX		1m BUS cable with DMX box		3.28 ft. BUS cable with DMX box
Input power		1m 24V power cable with power box		20 ft power cable without plug (R&D)
Number of DMX channels		2 channels (control channel, speed channel)		2 channels (control channel, speed channel)
Environmental conditions: submersible application	[°C]	Water temperature: min. 4 to max. 35	[°C]	Water temperature: min. 4 to max. 35
Environmental conditions: dry application	[°C]	Ambient temperature: max. 30°C with natural convection, max. 40 with forced convection, no direct sun exposure permitted	[°C]	Ambient temperature: max. 30°C with natural convection, max. 40 with forced convection, no direct sun exposure permitted
Order no.		50665		57650